

DEWALT®

ANCHORS & FASTENERS

HEX NUT SIDE

Enables installation with a wrench

CINCH NUT MECHANISM

Designed to eliminate thread misalignment

THREADED ROD COMPATIBILITY

Accepts burred or oiled rods and commonly available standard UNC threaded rods

DOUBLE SIDED

Separate thread-in and push-in sides designed for attaching existing anchor points to pre-fabrication assemblies

PUSH-IN COUPLER

GUARANTEED TOUGH.®

**PFM3613038
PFM3613012**

PUSH-IN COUPLER

SIZING OPTIONS

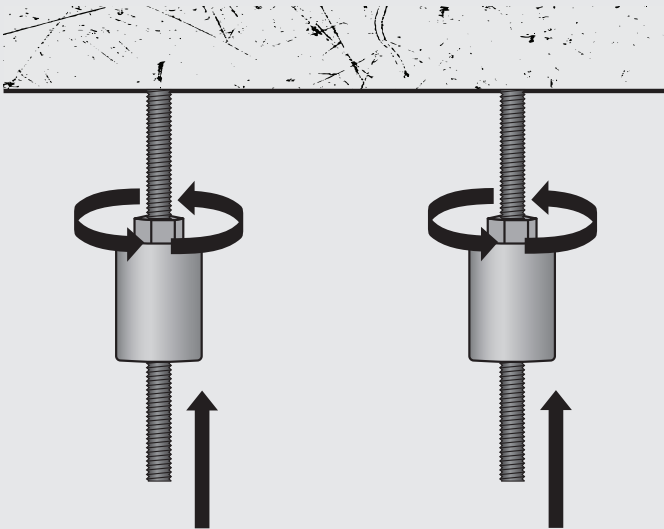
CAT#	SIZE	AVAILABLE LOAD* (TENSION)	QTY-BOX
PFM3613038	3/8 in. Single Thread	4,125 lbs	20
PFM3613012	1/2 in. Single Thread	6,000 lbs	20

* Allowable load capacities are calculated using an applied safety factor of 3.0.

INSTALLATION OPTIONS

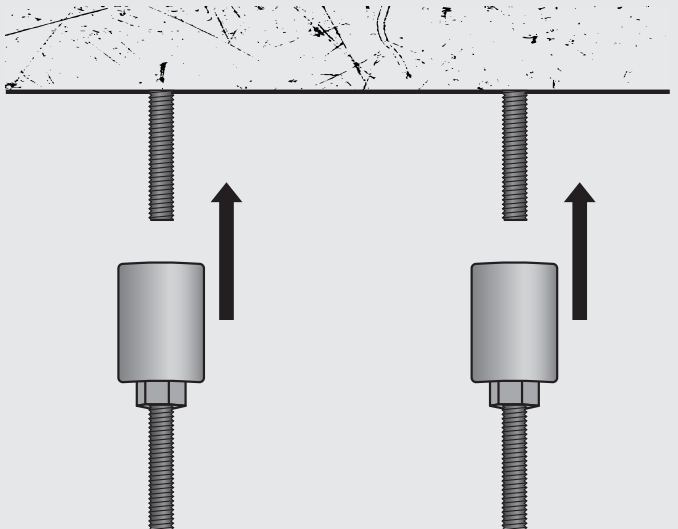
HEX NUT SIDE UP / PUSH-IN SIDE DOWN

THREAD COUPLERS ONTO HANGING ROD. PUSH PRE-FABRICATION ASSEMBLY INTO COUPLERS.



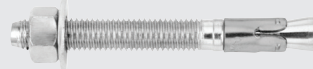
PUSH-IN SIDE UP / HEX NUT SIDE DOWN

THREAD COUPLERS ONTO PRE-FABRICATION ASSEMBLY. PUSH COUPLERS W/ ASSEMBLY ATTACHED INTO HANGING ROD.



ANCHOR COMPATIBILITY

COUPLERS COMPATIBLE WITH 3/8" AND 1/2" DDI+ AND SD1 INSERTS



ROD DIA.	DDI+ PART#	SD1 PART#	PUSH-IN COUPLER PART#
3/8"	PFM2511100	Various	PFM3613038
1/2"	PFM2511110	Various	PFM3613012